

Linear speed bumps

D7**D5 Standard / Eco / Premium****M5****M3****Purpose:**

- traffic calming on urban roads, car parks

Place of production:Geyer & Hosaja Sp. z o. o.
Partynia 12
39-310 Radomyśl Wielki**Material:**Vulcanised rubber
Reflective tape 3M
Metal reinforcement for mounting**Dimensions:**

Item name		Length* (mm)	Width* (mm)	Height* (mm)	Weight* (kg)
D7	(centre piece)	940	495	70	23
	(end piece)	940	445	70	15
D5 Standard	(centre piece)	895	495	50	16
	(end piece)	895	435	50	9,5
D5 Eco	(centre piece)	895	495	50	18,5
	(end piece)	895	435	50	11
D5 Premium	(centre piece)	895	495	50	18,5
	(end piece)	895	435	50	11
M5	(centre piece)	645	500	50	12
	(end piece)	645	300	50	6
M3	(centre piece)	600	500	30	8,2
	(end piece)	600	300	30	5,4

*Dimensional and weight tolerance $\pm 2\%$

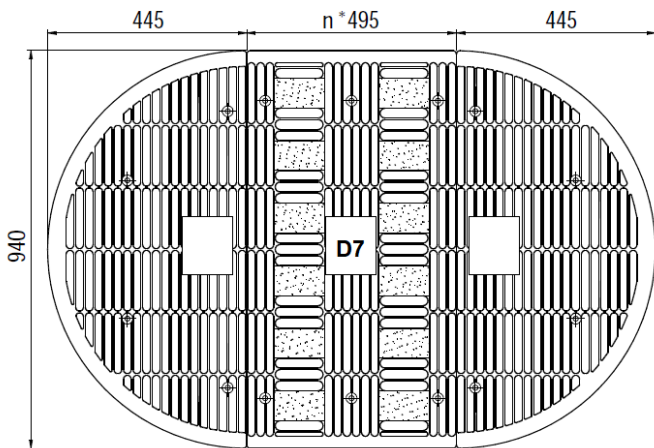
Colors:

- Black, yellow
- Reflective element "cat's eyes" (D5 Premium)
- Reflective tape 3M

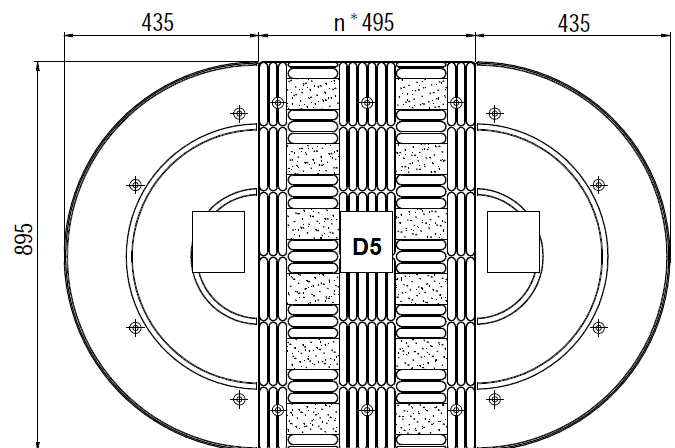
Technical parameters:

Parameters	Value	Unit	Standard / Method
Tensile strength	≥ 4,0	MPa	PN-ISO 37
Hardness	≥ 60	°ShA	PN-EN ISO 868:2005
Water absorption	≤ 2	%	PN-EN ISO 62
Tolerance - length, width	± 2	%	of nominal
Tolerance - height	± 2	%	of nominal
Tolerance- weight	± 2	%	of nominal

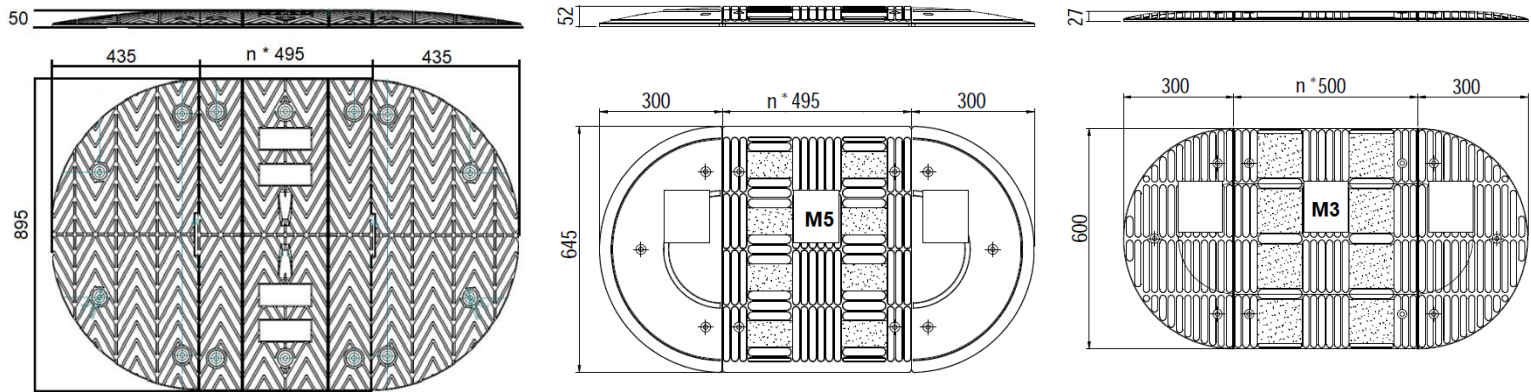
Technical drawings:



Linear speed bump D7



Linear speed bump D5



Linear speed bump
D5 Eco/ Premium

Linear speed bump M5

Linear speed bump M3

Packing:

The method of packaging is determined individually, depending on the order.
Description with product name, quantity, batch number and packing date on the pallet.

Identification:

Product- on the underside of the product information about the date of production.
Pallet- product name, quantity, pallet identification number, packing date, quality control stamp.

Storage:

The products should be stored on pallets in protective film and protected from external weather conditions.

The products may be stored for a longer period of time only in closed, ventilated rooms without humidity, after removing the protective film. Storage temperature: max 40 °C

Health, safety and fire conditions:

Conditions for storage and use of the product- must meet all requirements for storage and use of rubber materials.

Installation / Use:

The product should be installed in accordance with the instructions available on the website <https://youtu.be/2Xbly46Q02U>

In order to ensure effective protection of the vehicle against damage and effective fulfilment of the function of individual elements of the product, it is recommended to drive over the speed ramp at an even speed in accordance with the road traffic regulations. Braking on the speed ramp is prohibited.

It is forbidden to perform any maneuvers on the installed product other than driving straight (i.e. turning, reversing with wheel spinning), which will result in mechanical damage to the product which is not subject to complaint.

